

Product name: Triple lcd monitor arm

Model No.: L300

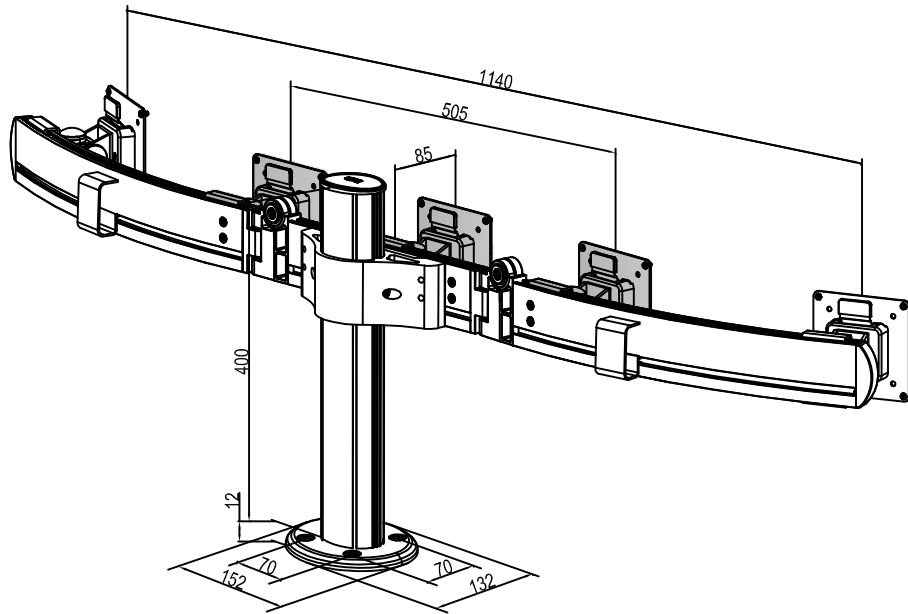


Product Features

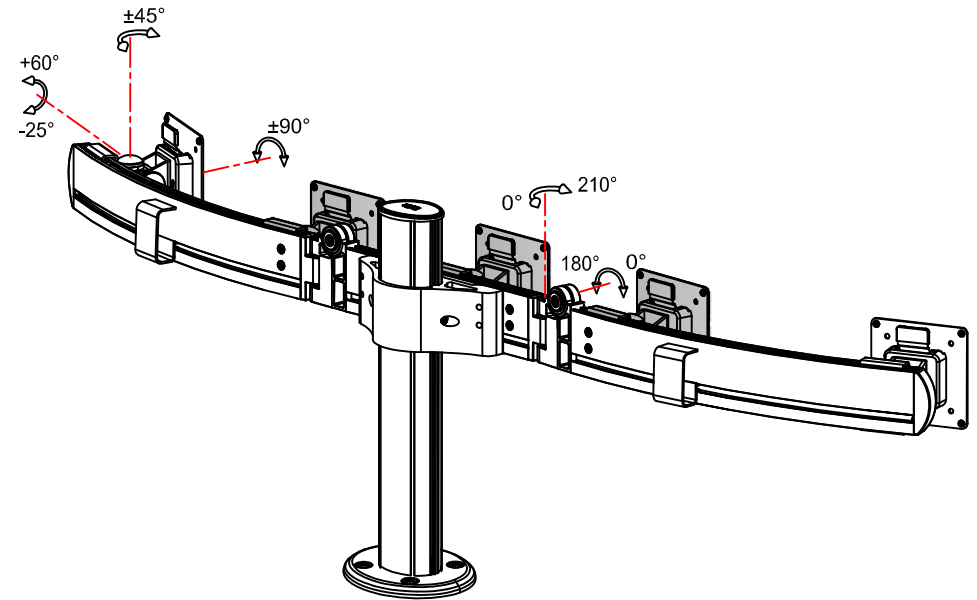
- Made by AL380 with the anodizing appearance. Mainly used in the controlling, finance, and monitoring systems.
- With the internal cable management, making the desk more concise and artistic.
- More functional arm design could make the monitors slide easily, the left and right arms could stretch back and forward, folding up and down.

Technical parameter

| | | | | | | | | | | | Grommet mount |
|----------|-----------------|----------|-------------|--------|-------|------------------|------------------|---------|--------|---------------------|---------------|
| LCD Size | Wt.Capacity(kg) | Lift(mm) | Tilt | Swivel | Pivot | VESA | Packing size(mm) | NW (kg) | GW(kg) | Desk thickness (mm) | |
| ≤24" | 8 | 400 | +60° ~ -25° | ±45° | ±90° | 75*75 100*100 | 1380*230*180 | 7.5 | 9.1 | 40 | |



Product Dimensions



Multifunctional adjustment figure